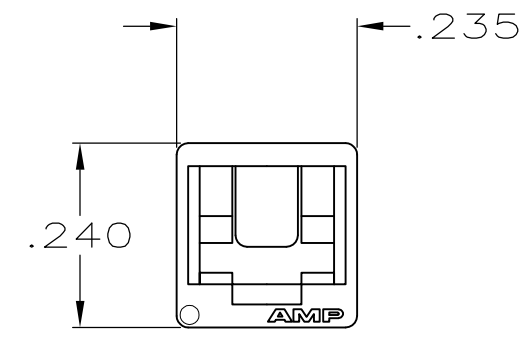
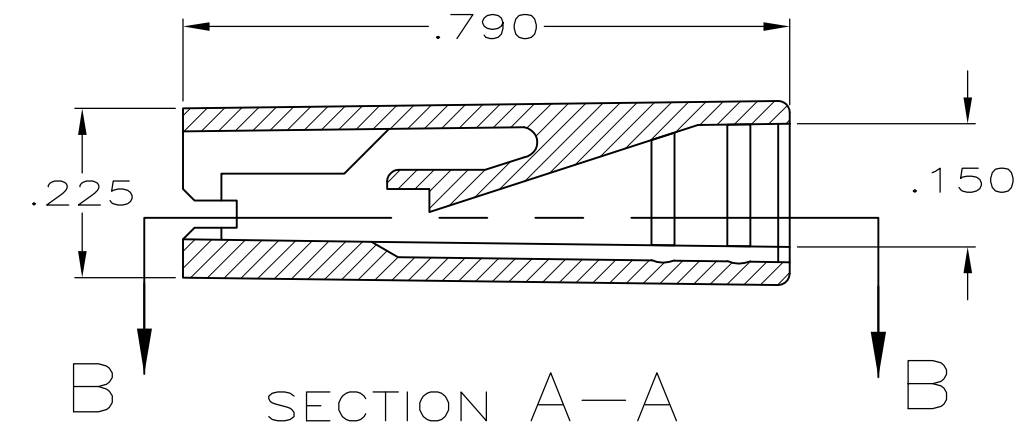
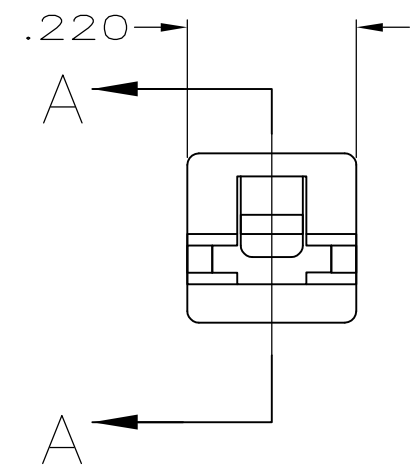
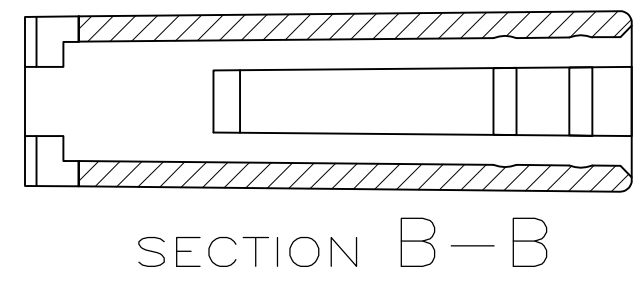


THIS DRAWING IS UNPUBLISHED. RELEASED FOR PUBLICATION
 © COPYRIGHT - By - ALL RIGHTS RESERVED.

LOC	DIST	REVISIONS			
P	LTR	DESCRIPTION	DATE	DWN	APVD
AF	50	L2	REVISED PER ECO-11-004820	11MAR11	RK HMR

- △1 POLYIMIDE UL94, V2, ACCORDING TO IEC 60335-1 GLOW IWRE.
- △2 PRELIMINARY - NOT FOR PRODUCTION



NATURAL	△1 NYLON, V2	△2 1-480417-3
NATURAL	NYLON, V0	△2 1-480417-2
BLACK	NYLON, V2	1-480417-1
NATURAL	NYLON, V2	1-480417-0
COLOR	MATERIAL	PART NO.

THIS DRAWING IS A CONTROLLED DOCUMENT.		DWN JR RUTH 2/8/91	STE TE Connectivity													
DIMENSIONS: INCHES		CHK MS FEHER 2/8/91														
TOLERANCES UNLESS OTHERWISE SPECIFIED:		APVD D REINER 2/8/91	NAME HOUSING, RECEPTACLE, FASTON, .110 SERIES													
<table border="0"> <tr><td>0 PLC</td><td>± -</td></tr> <tr><td>1 PLC</td><td>± -</td></tr> <tr><td>2 PLC</td><td>± -</td></tr> <tr><td>3 PLC</td><td>± .015</td></tr> <tr><td>4 PLC</td><td>± -</td></tr> <tr><td>ANGLES</td><td>± -</td></tr> </table>		0 PLC	± -	1 PLC	± -	2 PLC	± -	3 PLC	± .015	4 PLC	± -	ANGLES	± -	PRODUCT SPEC -	RESTRICTED TO -	
0 PLC	± -															
1 PLC	± -															
2 PLC	± -															
3 PLC	± .015															
4 PLC	± -															
ANGLES	± -															
MATERIAL SEE TABLE		FINISH SEE TABLE	APPLICATION SPEC -	SIZE A3												
		WEIGHT -	CAGE CODE 00779	DRAWING NO C-480417												
CUSTOMER DRAWING			SCALE 4:1	SHEET 1 OF 1												
			REV L2													